
Outdoor Fixed Installation Series

Outdoor waterproof LED display unit



1.Product features:

1. The thickness is 135mm, made of iron box material and sheet metal process..
2. Back maintenance,Color options.
3. Different specifications and combinations, with built-in cooling fan.



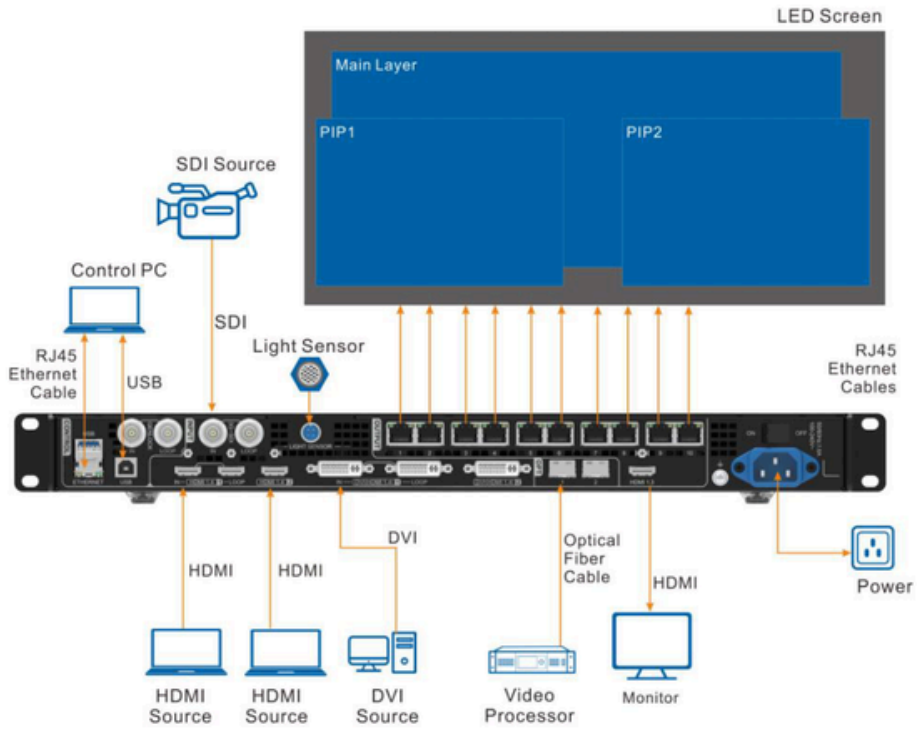
Optional specifications: 960mm*960mm or 1280mm*960mm

2.Main Technical Specifications

Parameter	Value					
	P2.5 SMD1415	P3	P4	P5	P8	P10
Pixel Pitch	2.5mm	SMD1415	SMD1921	SMD1921	SMD3535	SMD3535
Package mode	128x64	3.07mm	4mm	5mm	8mm	10mm
Pixel pitch	160000/m ²	104x52	80x40	64x32	40x20	32x16
Pixels Per Module	384x384	105625/m ²	62500/m ²	40000/m ²	15625/m ²	10000/m ²
Pixel Density		312x312	240x240	192x192	120x120	96x96
Pixels Per Panel	320mm*160mm					
Module Size	960mm*960mm*135mm					
Panel Size	1R1G1B					
Pixel configuration	Front					
Maintenance	HUB75E					
Port type	0°~+7° (Concave)					
Curve	≤0.15mm					
Planeness	iron box					
Material	Support brightness and chroma					
Calibration	2M~100M					
Best viewing distance	160°(W) 120°(H)					
Best viewing angle	220W/panel					
Input Power <Max>	800W/panel					
Input Power <Typical>	AC : 100~240 V					
Input Voltage	14bit					
Processing Depth	3840 Hz					
Refresh Rate	50/60Hz					
Video Frame Rate	100,000 Hours					
LED Life Time	32kg/panel					
Weight	IP65					
Ingress Protection	5000cd/m ²					
Brightness	-20°C~+60°C/ 10~85% RH					
Storage Temperature/Humidity	-10°C~+40°C/ 10~80% RH					
Operating Temperature/Humidity						

3. System topology diagram

Applications



Signal principle: computer-processor-Receiving card-led module

4. product type



Desktop computer



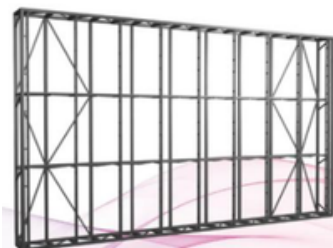
Video Processor



Receiving card



LED screen



steel structure



power supply